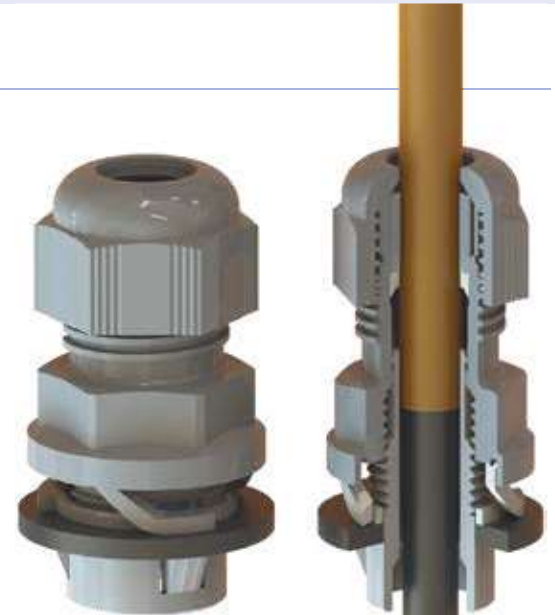


Cable glands & accessories

Cable Glands

SWA's revolutionary SmartFit Glands™

Part Number	Description	Cable Dia Range mm	Pk Qty
CG/SF-16B	16mm Black SmartFit Cable Gland	5 - 10	10
CG/SF-20SR	20Smm Red SmartFit Cable Gland	6 - 12	10
CG/SF-20SG	20Smm Grey SmartFit Cable Gland	6 - 12	10
CG/SF-20SB	20Smm Black SmartFit Cable Gland	6 - 12	10
CG/SF-20SW	20Smm White SmartFit Cable Gland	6 - 12	10
CG/SF-20R	20mm Red SmartFit Cable Gland	7 - 13	10
CG/SF-20G	20mm Grey SmartFit Cable Gland	7 - 13	10
CG/SF-20B	20mm Black SmartFit Cable Gland	7 - 13	10
CG/SF-20W	20mm White SmartFit Cable Gland	7 - 13	10
CG/SF-25R	25mm Red SmartFit Cable Gland	11 - 17	5
CG/SF-25G	25mm Grey SmartFit Cable Gland	11 - 17	5
CG/SF-25B	25mm Black SmartFit Cable Gland	11 - 17	5
CG/SF-25W	25mm White SmartFit Cable Gland	11 - 17	5
CG/SF-32G	32mm Grey SmartFit Cable Gland	15 - 21	2
CG/SF-40G	40mm Grey SmartFit Cable Gland	19 - 28	1
CGB/SF-20S	20Smm NP Brass SmartFit Cable Gland	6 - 12	10
CGB/SF-20	20mm NP Brass SmartFit Cable Gland	7 - 13	10
CGB/SF-25	25mm NP Brass SmartFit Cable Gland	11 - 17	5
CGB/SF-32	32mm NP Brass SmartFit Cable Gland	15 - 21	2
CGB/SF-40	40mm NP Brass SmartFit Cable Gland	19 - 28	1
CGSFA-2025	20mm & 25mm Adaptor Removal Tools	-	2
CGSFA-3240	32mm & 40mm Adaptor Removal Tools	-	2



SmartFit™ Gland cut-through



SmartFit™ Nickel-Plated Brass

SmartFit™ Polyamide

SmartFit™ Removal Tools

For a quick and informative example of how our SmartFit™ Gland works, scan the QR code to view the SmartFit™ Gland demonstration on YouTube or add the following code into your browser www.youtube.com/watch?v=Xirkm215s1s



Patent No.: DE 10 2013 218 733 A1